

Welding helmet HONOR MOST



HONOR welding helmet includes:

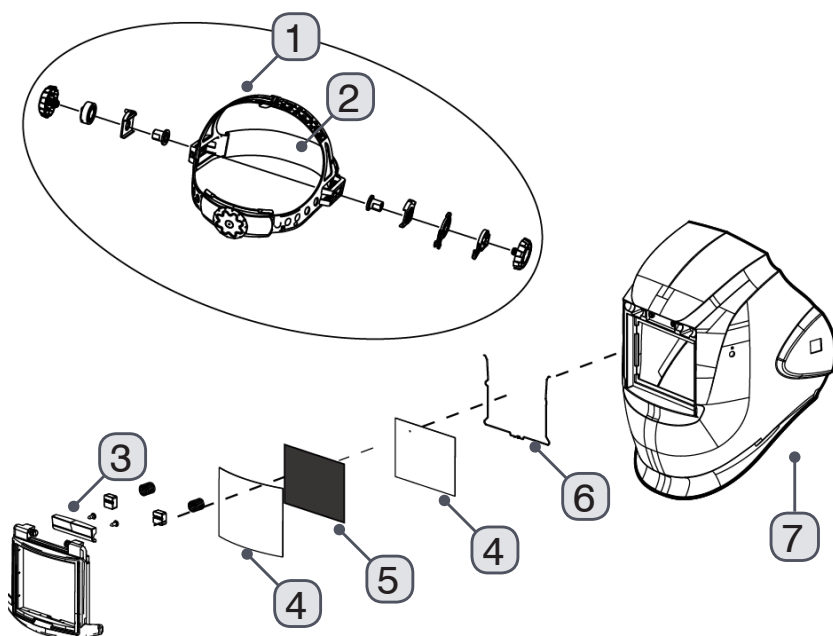
- Passive welding filter with a fixed shade level of 10.
- Easily flip-up filter cassette for changing to grinding mode.
- Comfortable, adjustable headgear.
- Low weight.
- Viewing area 90 x 110 mm.
- Degree of darkening fixed 10.

Packaging - 6 pcs in carton box , 48 pcs. on pallet.

Catalogue No.: 72 00 965000



Spare parts diagram:



No.	Name	Catalogue No.
1	Headgear HONOR	72 00 965001
2	Sweat band HONOR	72 00 965002
3	Flip up cassette for HONOR	72 00 965004
4	Polycarbonate safety glass 90x110 mm	72 50 090110
5	Protective glass 90x110 mm darkness 10	73 10 901110
6	Spring clip for HONOR	72 00 965003
7	Helmet shell HONOR	72 00 965005

RYWAL-RHC Sp. z o.o.
 ul. Polna 140B, 87-100 Toruń
 export@rywal.com.pl



www.rywal.eu