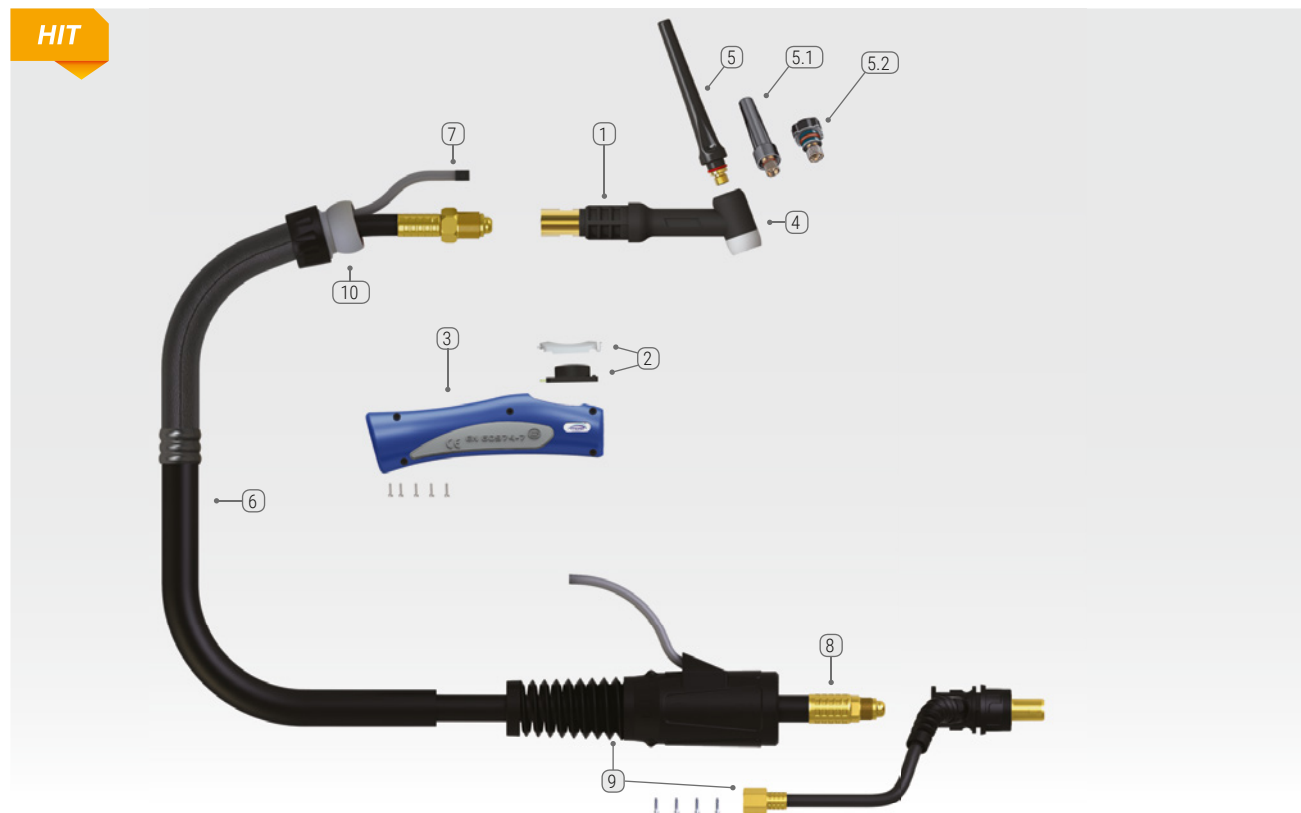




T26 SGRIP



Model	T26 SGRIP
Cooling	Gas
Technical data according to EN 60 974-7:	
▪ Rating 35% duty cycle	125 A AC / 180 A DC
▪ Tungsten electrode diameter	1,0-3,2 mm
▪ Gas flow	5-12 l/min
Length / Catalogue No.	(4,0 m) 56 01 062604 (8,0 m) 56 01 062608 (12,0 m) 56 01 062612

T26F SGRIP version with a flexible torch, technical data as for T26 SGRIP.

Torches are supplied without control plugs.

V - torch with gas valve, without button.

F - flexible torch.

DC - direct current.

AC - alternating current.

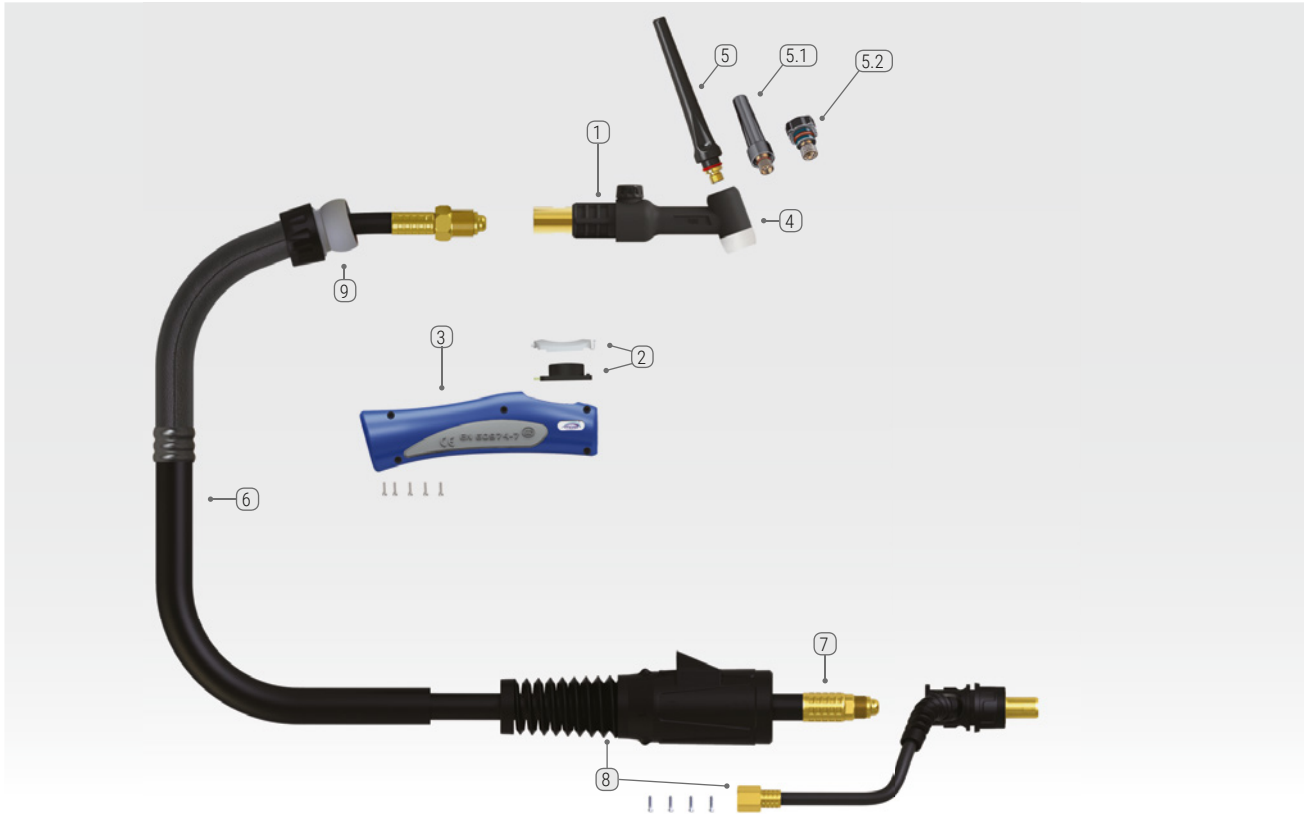
No.	Replaceable elements	Catalogue No.	Alternative designation
1	T-26 MOST* torch body	56 13 003398	-
1.1	T-26F MOST torch body	56 13 003397	-
2	Set button ON/OFF	56 13 200100	UERBS
3	TIG SGRIP large handle	56 13 200220	RY-ERH200
4	T-17/18/26 insulator	56 13 014810	18CG
5	Long back cup T-17/18/26	56 13 003181	57Y02
5.1	Medium back cup T-17/18/26	56 13 003251	-
5.2	Short back cup T-17/18/26	56 13 003270	57Y04
6	Cable cover (m)	51 13 015289	-
6.1	Cable cover 4 m	56 13 200250	USLERC200-40
6.2	Cable cover 8 m	56 13 200251	USLERC200-80
6.3	Cable cover 12 m	56 13 200252	USLERC200-120
7	Control cable with 4 m plug Control cable with 8 m plug Control cable with 12 m plug	56 13 200217 56 13 200218 56 13 200219	UERSWL4 UERSWL8 UERSWL12
8	Power gas cable T-26 MOST 4 m Power gas cable T-26 MOST 8 m Power gas cable T-26 MOST 12 m	56 13 200212 56 13 200213 56 13 200214	USL46V28AOB USL46V30AOB USL46V37AOB
9	TIG26 plug assembly	56 13 200272	UNSL 35-50-26-GS5
10	TIG joint	56 13 200264	UERKJ200

* standard version

- Parts for TIG torches - pages 73-81.
- We provide custom made TIG welding torches adapted to all common welding equipment - send email to export@rywal.com.pl
- TIG welding rods - chapter 10.
- Tungsten electrodes and tungsten electrode sharpeners - pages 82-83.



T26V SGRIP



Model	T26V SGRIP
Cooling	Gas
Technical data according to EN 60 974-7:	
▪ Rating 35% duty cycle	125 A AC / 180 A DC
▪ Tungsten electrode diameter	1,0-3,2 mm
▪ Gas flow	5-12 l/min
Length / Catalogue No.	(4,0 m) 56 01 062634 (8,0 m) 56 01 062638

No.	Replaceable elements	Catalogue No.	Alternative designation
1	T-26V MOST* torch body	56 13 003363	UWP26V
1.1	T-26VF MOST torch body	56 13 003370	UWP26VFX
2	TIG button cover	56 13 200105	UERBS
3	TIG SGRIP large torch	56 13 200220	RY-ERH200
4	T-17/18/26 insulator	56 13 014810	18CG
5	Long back cup T-17/18/26	56 13 003181	57Y02
5.1	Medium back cup T-17/18/26	56 13 003251	-
5.2	Short back cup T-17/18/26	56 13 003270	57Y04
6	Cable cover (m)	51 13 015289	-
6.1	Cable cover 4 m	56 13 200250	USLERC200-40
6.2	Cable cover 8 m	56 13 200251	USLERC200-80
7	Power gas cable T-26 MOST 4 m	56 13 200212	USL46V28AOB
	Power gas cable T-26 MOST 8 m	56 13 200213	USL46V30AOB
8	TIG26 plug assembly	56 13 200272	UNSL 35-50-26-GS5
9	TIG joint	56 13 200264	UERKJ200

T26VF SGRIP version with a flexible torch, technical data as for T26 SGRIP.

Torches are supplied with a gas cap.

V - torch with gas valve, without button.

F - flexible torch.

DC - direct current.

AC - alternating current.

* standard version

- Parts for TIG torches - pages 73-81.
- We provide custom made TIG welding torches adapted to all common welding equipment - send email to export@rywal.com.pl
- TIG welding rods - chapter 10.
- Tungsten electrodes and tungsten electrode sharpeners - pages 82-83.